



CONCRETE

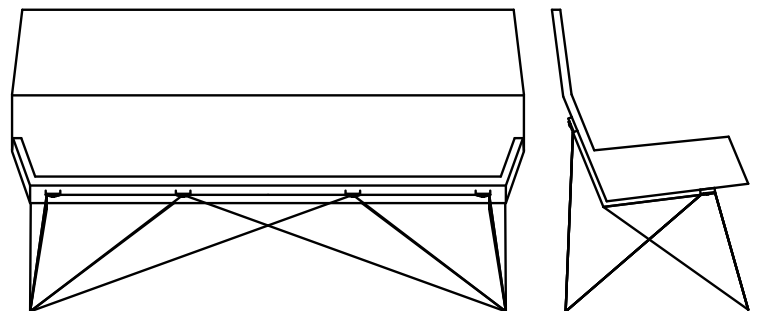


BASE

No. 004

INCLINARE BENCH

Sometimes you have to look to the past to see the future, and such is the case with the Inclinare Bench. Its genealogy is rooted in the clean lines of mid-century modern classics, but it was created in 2012. It provides a comfortable seating area for one to two people; use it around your Triangulum fire pit or on the patio, with a Knotty Stool or pair of Muskoka Chairs. Designed with the same ergonomic considerations of the Modern Muskoka Chair, each Inclinare Bench is hand-cast in a highly engineered concrete, making it extremely durable, strong, and thin. The steel rod base is handmade to fit each individual bench shell. Considerate design details include a removable base, and proper drainage to a cast-in copper drain aperture.



MATERIALS & SPECS

composite concrete slab // steel base, powder coat optional

61.5 x 23.5 x 36.25 // 215 lb // 97 kg

shown in limestone & special edition safety yellow powder coat